



## Switchgear type RKS5-2/4

For rated voltage 500V



Switchgear type RKS5-2/4 is an electrical device designed for use in the underground mining pits in non-explosive conditions and on the ground.

Switchgear type RKS5-2/4 is designed for connecting and switching on receivers (especially fans, mining machines, welding machines) in the 3-phase mine grid with insulated star point on the transformer (system IT) of rated grid voltage of 500V.

### TECHNICAL DATA:

ingress protection	IP54
insulation rated voltage of main circuits	660 V
insulation rated voltage of auxiliary circuits	250 V
supply rated voltage	500V, 50 Hz
maximum outlet load current	125A
rated current of clamps from the supply side	400A
number of outlets 500 V	2
dimensions:	1400 x 700 x 370mm (height x width x depth)
weight	60 kg

## CONSTRUCTION

The switchgear housing is made of steel sheets. The whole unit is based by a common support frame. The housing is equipped with brackets that allow for the switchgear to be hung on a chain or to be placed directly on the ground.

## MODE OF OPERATION

The switching on/switching off of the 500V outlets are carried out with the control button situated on the face of the switchgear. The switchgear is equipped with power protections against short-circuiting, overloading, low insulation resistance and an increase in earth resistance.

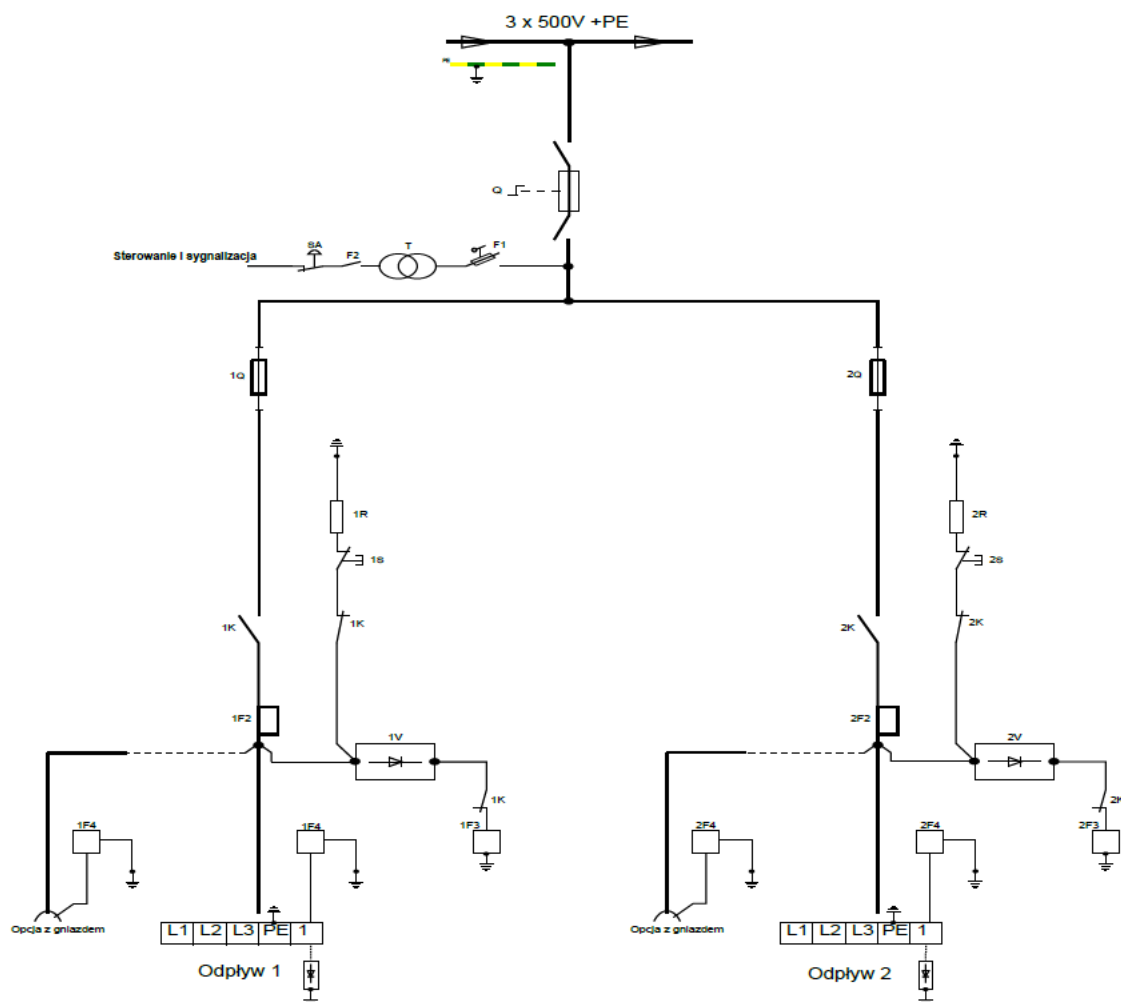
## SCHEMATIC DIAGRAM

### Legend:

Sterowanie i sygnalizacja – **control and signalization**

Opcja z gniazdem – **option with socket**

Odplyw - **outlet**



Orders should be submitted in writing or by fax to the address:

 **Instal-Service PL**

Spółka z ograniczoną odpowiedzialnością  
Spółka komandytowa

58-506 Jelenia Góra, ul. Wrocławska 15a  
tel. (+48 075) 64-57-950  
fax. (+48 075) 64-57-951  
e-mai: instal@instal-service.pl